

BOLT-AROUND-BEAM TIEBACK ANCHORS



FLS Bolt-Around-Beam Tieback Anchors are a safe, practical and permanent anchorage solution. Cost effective and proven, Tieback Anchors are used for fall protection and a wide range of suspended access applications, including window cleaning and exterior building maintenance. The Tieback anchor provides an ideal safety solution for rope descent systems where specific use and height restrictions apply and workers are operating suspended power platforms and temporary rigging equipment, or anywhere leading edge hazards exist.



BOLT-AROUND-BEAM TIEBACK ANCHORS

FEATURES

- **Proven Design** for over 2,000 installations worldwide
- **Cost Effective** without sacrificing safety. FLS safety tiebacks are an economical choice compared to many alternative solutions
- **Simple to Use** design of tie back anchors results in increased productivity

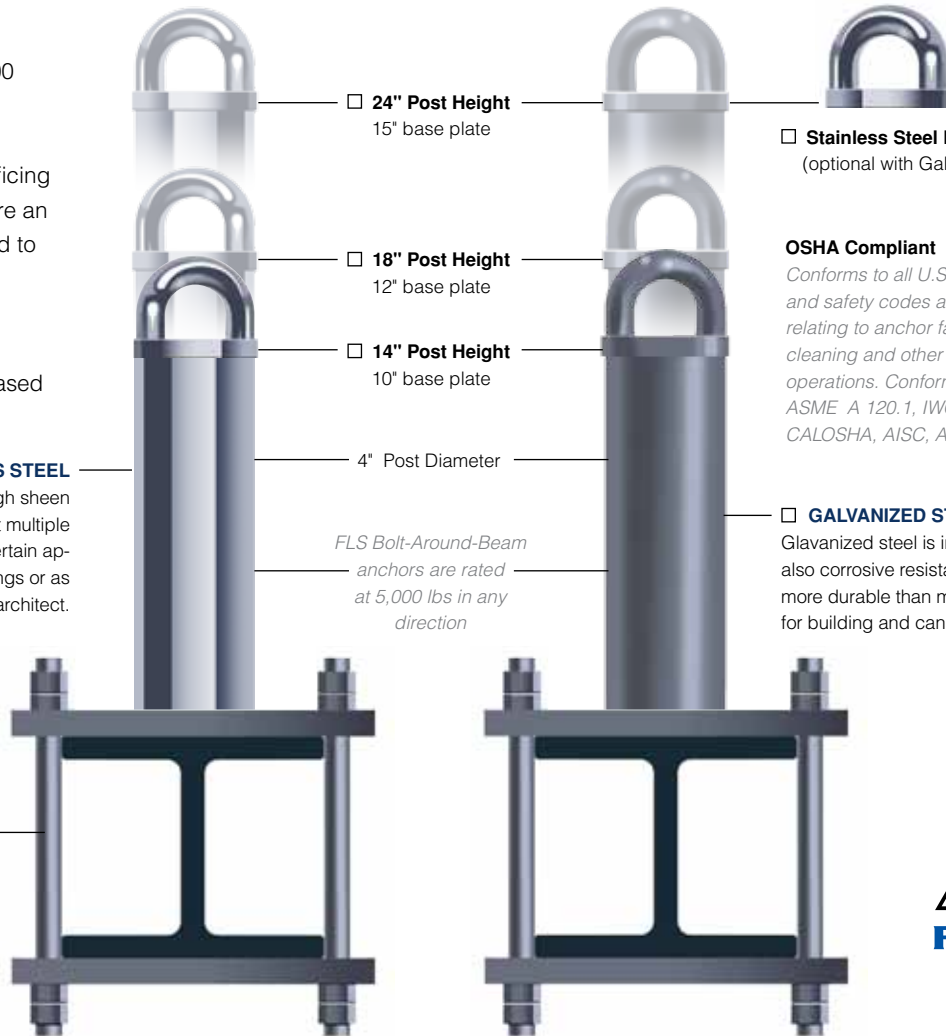
STAINLESS STEEL

Stainless steel consists of a high sheen surface that is designed to resist multiple corrosive agents. It is required in certain applications such as ocean front buildings or as designated by architect.

The Bolt-Around-Beam Tie-back Anchor is secured to a structural support beam via a plate and bolt system

5/8" steel bolts available in 12", 18" or 32" length

ALL MOUNTING HARDWARE IS INCLUDED IN PRICE



24" Post Height
15" base plate

18" Post Height
12" base plate

14" Post Height
10" base plate

4" Post Diameter

FLS Bolt-Around-Beam anchors are rated at 5,000 lbs in any direction

Stainless Steel Hook
(optional with Galvanized post)

OSHA Compliant

Conforms to all U.S. standards, state labour and safety codes and materials standards relating to anchor fabrication, window cleaning and other suspended maintenance operations. Conformance includes ASME, ASME A 120.1, IWCA I 14.1, OSHA 1910.66, CALOSHA, AISC, AWS, and other references.

GALVANIZED STEEL

Galvanized steel is inexpensive, productive and also corrosive resistant. Galvanized steel is more durable than most other material utilized for building and can also be painted.



BOLT AROUND BEAM TIEBACK ANCHOR PART NUMBERS

Galvanized Steel Post with Galvanized Eye				Galvanized Steel Post with Stainless Steel Eye				Stainless Steel Post with Stainless Steel Eye			
Part #	Ht.	Base*	Bolt (Kit)	Part #	Ht.	Base*	Bolt (Kit)	Part #	Ht.	Base*	Bolt (Kit)
10TBBU101214	14"	10"	12" (2A)	10TBBS101214	14"	10"	12" (2A)	10TBSS101214	14"	10"	12" (2A)
10TBBU101814	14"	10"	18" (2B)	10TBBS101814	14"	10"	18" (2B)	10TBSS101814	14"	10"	18" (2B)
10TBBU103214	14"	10"	32" (2C)	10TBBS103214	14"	10"	32" (2C)	10TBSS103214	14"	10"	32" (2C)
10TBBU121214	14"	12"	12" (2A)	10TBBS121214	14"	12"	12" (2A)	10TBSS121214	14"	12"	12" (2A)
10TBBU121814	14"	12"	18" (2B)	10TBBS121814	14"	12"	18" (2B)	10TBSS121814	14"	12"	18" (2B)
10TBBU123214	14"	12"	32" (2C)	10TBBS123214	14"	12"	32" (2C)	10TBSS123214	14"	12"	32" (2C)
10TBBU151214	14"	15"	12" (2A)	10TBBS151214	14"	15"	12" (2A)	10TBSS151214	14"	15"	12" (2A)
10TBBU151814	14"	15"	18" (2B)	10TBBS151814	14"	15"	18" (2B)	10TBSS151814	14"	15"	18" (2B)
10TBBU153214	14"	15"	32" (2C)	10TBBS153214	14"	15"	32" (2C)	10TBSS153214	14"	15"	32" (2C)
10TBBU121218	18"	12"	12" (2A)	10TBBS121218	18"	12"	12" (2A)	10TBSS121218	18"	12"	12" (2A)
10TBBU121818	18"	12"	18" (2B)	10TBBS121818	18"	12"	18" (2B)	10TBSS121818	18"	12"	18" (2B)
10TBBU123218	18"	12"	32" (2C)	10TBBS123218	18"	12"	32" (2C)	10TBSS123218	18"	12"	32" (2C)
10TBBU151218	18"	15"	12" (2A)	10TBBS151218	18"	15"	12" (2A)	10TBSS151218	18"	15"	12" (2A)
10TBBU151818	18"	15"	18" (2B)	10TBBS151818	18"	15"	18" (2B)	10TBSS151818	18"	15"	18" (2B)
10TBBU153218	18"	15"	32" (2C)	10TBBS153218	18"	15"	32" (2C)	10TBSS153218	18"	15"	32" (2C)
10TBBU151224	24"	15"	12" (2A)	10TBBS151224	24"	15"	12" (2A)	10TBSS151224	24"	15"	12" (2A)
10TBBU151824	24"	15"	18" (2B)	10TBBS151824	24"	15"	18" (2B)	10TBSS151824	24"	15"	18" (2B)
10TBBU153224	24"	15"	32" (2C)	10TBBS153224	24"	15"	32" (2C)	10TBSS153224	24"	15"	32" (2C)

All Mounting hardware is included. Kits consist of 4 bolts (5/8" x the designated bolt length), 16 nuts (5/8") and 8 flat washers (5/8")
*All bases are square (ie 10"x10", 12"x12", or 15"x15")

INSPECTION

Regulatory authorities require annual inspections of anchors by a qualified person with the date, inspector's name, signature and company plus any comments recorded in the Building Facade Maintenance Equipment log book.

RE CERTIFICATION

FLS recommends anchors be re-certified every five (5) years or when re-roofing or renovating pertinent to the window cleaning system. The report and certification shall be included in the logbook and take place under the direct supervision of a registered professional engineer.