



ManSafe® SRL Mini

Smarter. Safer. Stronger.
Better

The ManSafe **Self Retractable Lifelines** (SRLs) are intended for use where mobility is needed and fall protection is required.

The **ManSafe Mini SRL** is designed specifically for use in an environment where close anchorage is available, such as on construction sites. Latchways has combined innovative engineering, superior materials and cutting-edge design to provide the smallest, lightest SRL on the market.

FLEXIBLE LIFELINE SYSTEMS®

The standard of excellence in the Fall Safety Industry is Flexible Lifeline Systems (FLS). That's why Latchways has teamed with FLS to distribute ManSafe SRLs in North America.



FLS WORKS®



ManSafe® SRL Mini

The ManSafe Mini SRL has been developed with a number of unique features to provide a smarter, safer and stronger alternative to traditional SRLs.

Smarter



- Innovative engineering and design help to ensure the ManSafe Mini SRL is far more compact—and therefore lighter—than competing products.
- Choice of two hooks, scaffolding hook and galvanized snaphook, ensures the Mini SRL is invaluable in every environment particularly within the construction industry with the use of the scaffolding hook.

Safer



- **Advanced Full Contact™ Technology** is 100% reliable, the user being able to check this by feeling and hearing the 'clicking' as the lifeline extends and retracts.
- All moving parts are coated with Polytetrafluoroethylene (PTFE) requiring no additional lubrication—which could attract dirt and debris.

Stronger



- **Compact Aluminium Casing** protects the SRL from impact damage.
- High strength polyester webbing lifeline, features a Vectran™ core.
- The Mini SRL has undergone over 20,000 continuous cycles in cyclic testing to guarantee durability.

Better

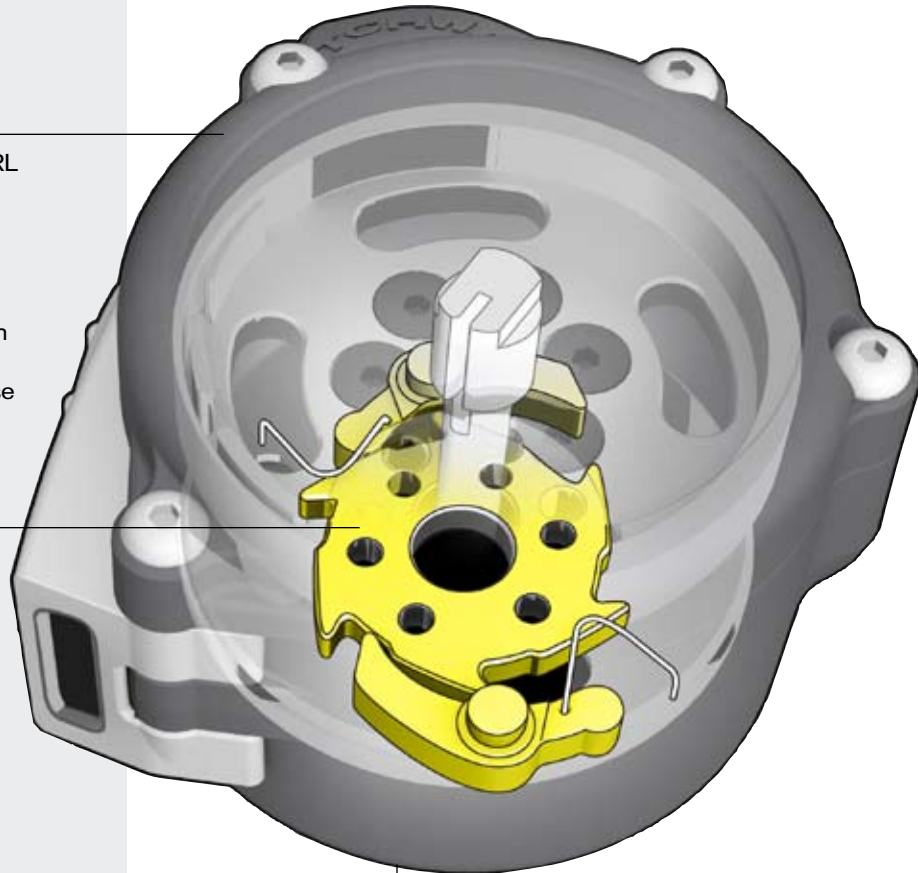
Maximizing fall-safety requires proper product selection and support. **Flexible Lifeline Systems (FLS)** provides full technical support on the full line of Latchways ManSafe SRLs. A superior product with superior support.



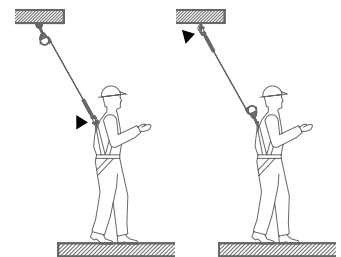
ManSafe® and Constant Force® are registered trademarks and Full Contact™ is a trademark of Latchways plc.

- High strength polyester webbing lifeline
- Works in freezing conditions
- Unaffected by water
- Withstands contaminants

Standards
BS EN 360:2002
ANSI Z359.1-2007
OSHA 1910.66
OSHA 1926.502
ISO 9001 Certified company



The Mini SRL may be attached to either the designated fall arrest attachment point of a full body harness or to a suitable anchorage/anchorage connector overhead.



Model	Description	Anchorage	HxWxD (in)	Weight
62002-00	7 ft Webbing SRL	Galvanized Snaphook	4.3x3.7x 2.4	2.2 lbs
62102-00	7 ft Webbing	Scaffold Hook	4.3x3.7x 2.4	2.9 lbs

Flexible Lifeline Systems
14325 West Hardy Rd., Houston, TX 77060
Telephone 281.448.8821 Fax 281.448.9225
Email: Info@FlexibleLifeline.com
Website: www.RetractableLifeline.com