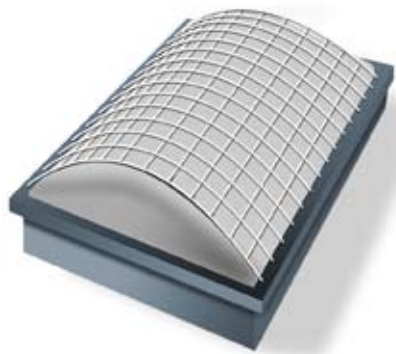


MODEL A-SM1 FLEXIBLE SKYLIGHT GUARD



The Model A-SM1 Flexible Skylight Guard from Flexible Lifeline Systems® prevents falls through acrylic dome skylights. Developed in response to OSHA Regulation 29CFR 910.23 (e) (8) NIOSH Alert 90-100. The Alert requested assistance in preventing worker deaths and injuries from falls through skylights and roof openings. The Model A-SM1 Flexible Skylight Guard is easy to install and allows for a *proactive* solution to this safety hazard. Like all FLS Skylight Safety models, the Model A-SM1 Flexible Skylight Guard will prove to be more than cost effective, especially when considering the alternative of a fall through a skylight.



MODEL A-SM1 FLEXIBLE SKYLIGHT GUARD

The Model A-SM1 Flexible Skylight Guard installed by Flexible Lifeline Systems is a safety product that offers “passive protection” to prevent falls through acrylic dome skylights. “Passive protection” safety products do not rely on hazard recognition or the taking of appropriate action to avoid a hazard. Unlike many safety products, properly installed Flexible Skylight Guards *completely eliminate* the hazard.

To put it another way, proper installation by Flexible Lifeline Systems of the Model A-SM1 Flexible Skylight Guard on acrylic dome skylights will *prevent* falls through those skylights and the consequential tragic injuries or fatalities.

SPECIFICATIONS

- The Model A-SM1 Flexible Skylight Guards Screen shall be 3" x 4" welded steel wire mesh having a minimum transverse (or in the case of a square skylight the curved wire) diameter of .195".
- The screen shall be hot dipped galvanized to meet ASTM A123 specifications.
- The Model A-SM1 Flexible Skylight Guard rails shall be 6061-T6 extruded aluminum with 2" wide notches on 4" centers.

WHY FLS?

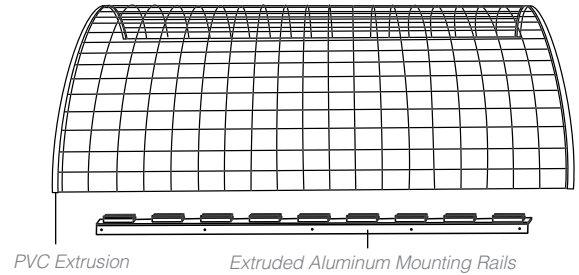
Maximizing the fall-safety provided by the Flexible Skylight Guard requires proper installation and understanding of associated fall hazards.

Flexible Lifeline Systems is your turnkey fall-protection provider. One manager with total accountability guides your project every step of the way. Piecemeal competitors can't compare with FLS' turnkey costs and services.

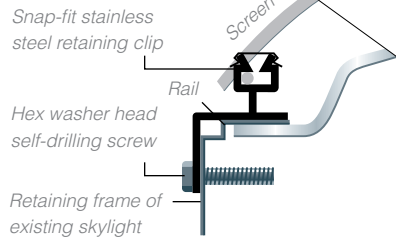


FEATURES

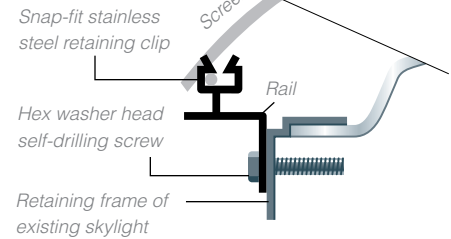
- Skylight Screens are a proactive one-time fix
- Mesh is Hot Dipped Galvanized after welding
- Rails are mechanically fastened using galvanized steel hex head self-drilling screws



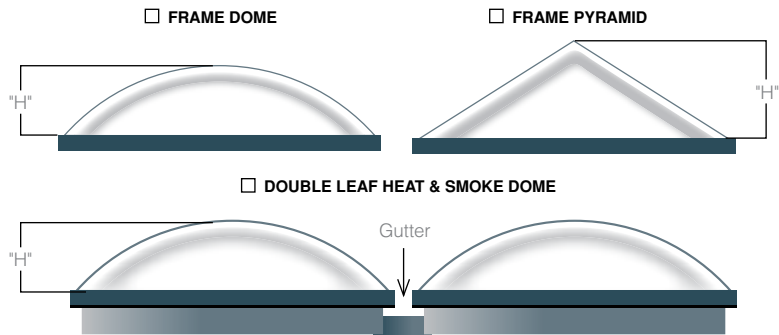
STANDARD FIT



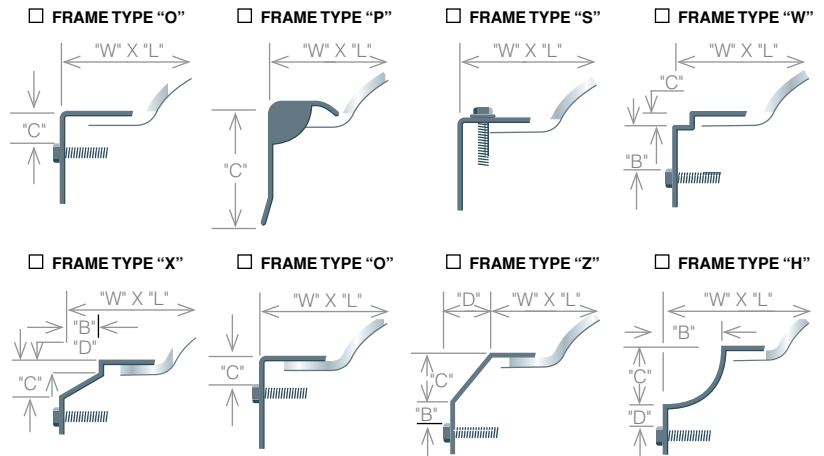
REVERSE FIT



SKYLIGHT PROFILES



RETAINING FRAME PROFILES



■ Please check applicable Skylight Information above and enter frame data below for quote

Frame Type	"W" x "L" x "H"	Dimension B	Dimension C	Dimension D	Quantity