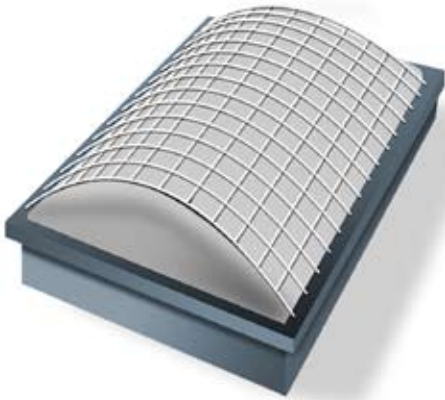


## SKYLIGHT SCREENS



**Skylight Screens** That are designed and installed by Flexible Lifeline Systems are OSHA compliant. FLS screen-style skylight screens do not penetrate the roof or skylight curb membranes, thereby maintaining the integrity of the roof warranty. Installation of FLS Skylight Screens eliminate the inherent danger that exists of falls through unguarded skylights. FLS Skylight screens also ensure OSHA compliance, and provide protection against legal liability.



## SKYLIGHT SCREENS

**FLS Skylight Screens** provide cost-effective, easy-to-install, protection from falls through skylights.

### OSHA COMPLIANT

A fall through an unguarded skylight usually results in death or serious injury. This is why the Occupational Safety and Health Administration (OSHA) requires that employers provide fall protection as stated in the following regulations:

OSHA Regulation 29 CFR 1910.23 Guarding Floor and Wall Openings and Holes.

(a) (4) Every skylight, floor opening, and hole shall be guarded by a standard skylight screen or fixed standard railing on all exposed sides.

OSHA Regulation 29 CFR 1926.501 Duty to Have Fall Protection

(a) (2) The employer shall determine if the walking/working surfaces on which the employees are to work have the strength and structural integrity to support employees safely. Employees shall be allowed to work on those surfaces only when the surfaces have the requisite strength and structural integrity.

(b) (4) Holes (i) Each employee on walking/working surface shall be protected from falling through holes (including skylights) more than 6 feet above lower levels by personal fall arrest systems, covers, or guardrail systems erected around such holes. (ii) Each employee on walking/working surface shall be protected from tripping or stepping in the holes (including skylights) by covers.

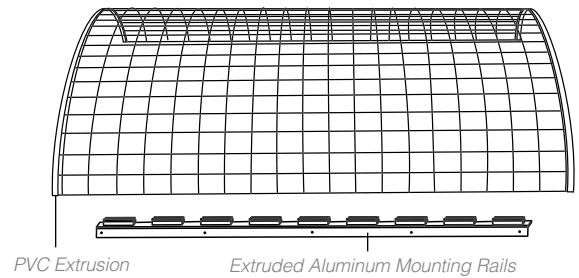
### WHY FLS?

Maximizing the safety provided by Skylight Screens requires expert planning and installation. **FLS is your turnkey fall-protection provider.** One manager with total accountability guides your project every step of the way. Piecemeal competitors can't compare with FLS' turnkey costs and services.

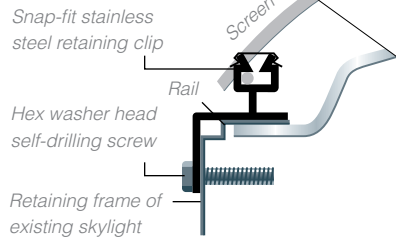


## FEATURES

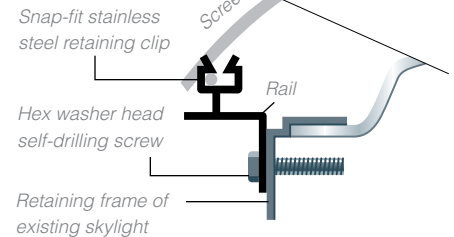
- Skylight Screens are a proactive one-time fix
- Mesh is Hot Dipped Galvanized after welding
- Rails are mechanically fastened using galvanized steel hex head self-drilling screws



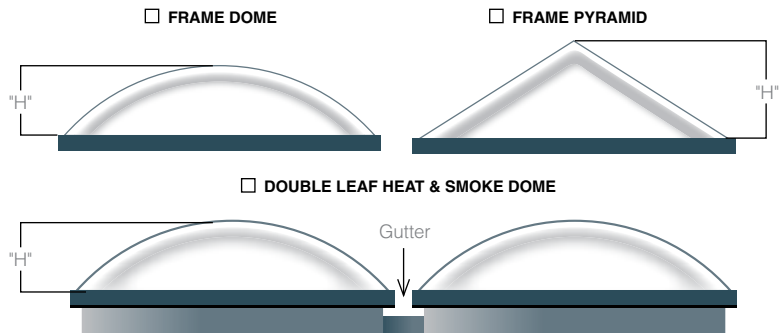
### STANDARD FIT



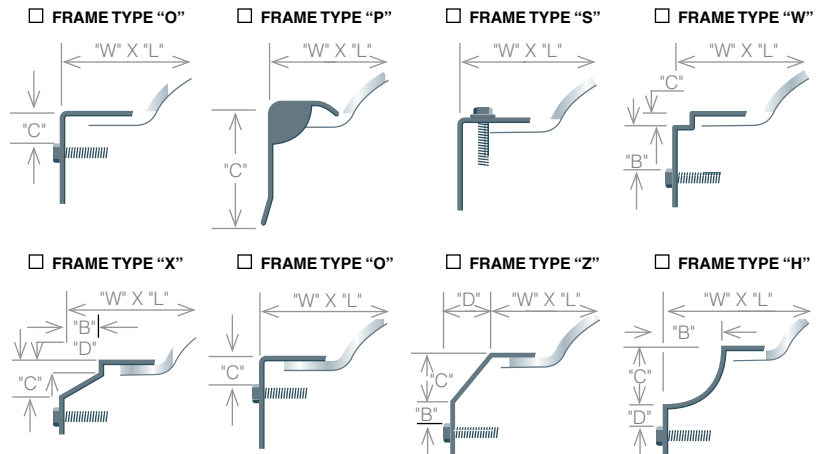
### REVERSE FIT



## SKYLIGHT PROFILES



## RETAINING FRAME PROFILES



■ Please check applicable Skylight Information above and enter frame data below for quote

Frame Type	"W" x "L" x "H"	Dimension B	Dimension C	Dimension D	Quantity