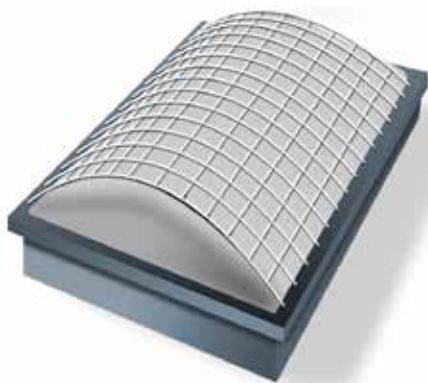


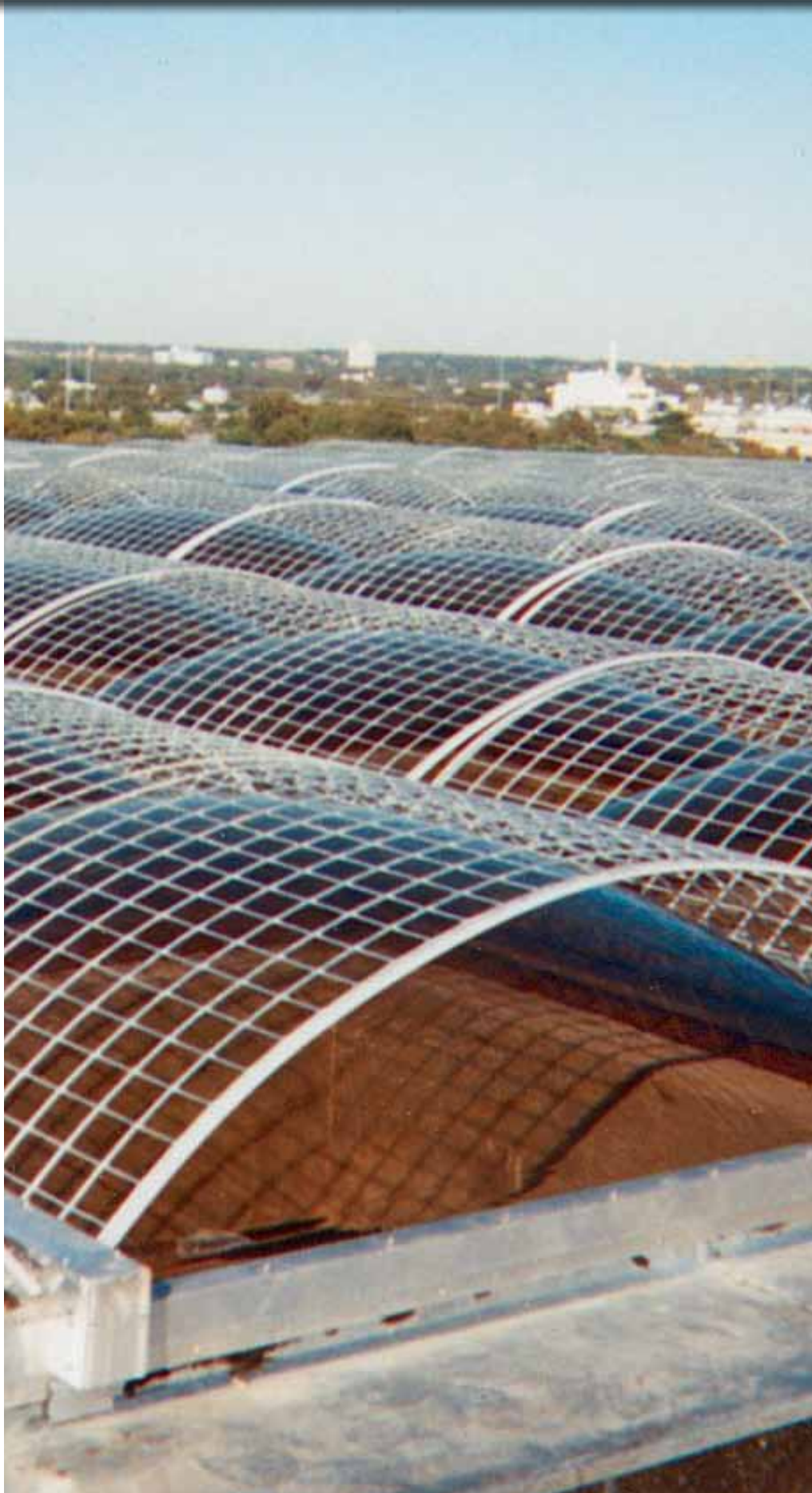
## SKYLIGHT SCREENS: CAL-OSHA NEW REGULATIONS



### Are your skylights in compliance with the new **CAL-OSHA** amended section § 3212?

Flexible Lifeline Systems Skylight Screens comply with the **new CAL-OSHA amended section § 3212**. Properly installed FLS Skylight Screens prevent falls through acrylic dome and corrugated fiberglass skylights thus, completely eliminating the fall hazard.

Comply with the new CAL-OSHA regulations today with thoroughly tested skylight screens that are designed and installed by FLS.



## SKYLIGHT SCREENS: CAL-OSHA NEW REGULATIONS

### EXCERPT FROM CAL-OSHA REGULATIONS:

#### CAL-OSHA Amended Section § 3212

(a) (1) Every floor and roof opening shall be guarded by a cover, a guardrail, or equivalent on all open sides...

(b) Floor and roof opening covers shall be designed by a qualified person and be capable of safely supporting the greater of 400 pounds or twice the weight of the employees, equipment and materials that may be imposed on any one square foot area of the cover at any time. Covers shall be secured in place to prevent accidental removal or displacement, and shall bear a pressure sensitized, painted or stenciled sign with legible letters not less than one inch high, stating "Opening---Do Not Remove." Markings of chalk or keel shall not be used.

(e) (1) Skylights screens. The design, construction, and installation of skylight screens shall meet the strength requirements equivalent to that of covers specified in subsection (b) above. They shall also be of such design, construction and mounting that under design loads and impacts, they will not deflect downward sufficiently to break the glass below them. The construction shall be of grillwork, with openings not more than 4 inches by 4 inches or of slatwork with openings not more than 2 inches wide with length unrestricted, or of other material of equal strength and similar configuration.

### WHY FLS?

Maximizing the safety provided by Skylight Screens requires expert planning and installation. **FLS is your turnkey fall-protection provider.** One manager with total accountability guides your project every step of the way. Piecemeal competitors can't compare with FLS' turnkey costs and services.

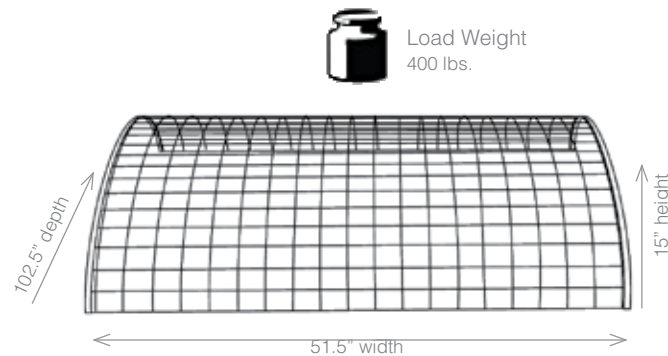


### LOAD TESTS

Flexible Lifeline Systems is dedicated to designing and installing skylight screens that meet the most current CAL-OSHA regulations by making sure each skylight screen passes a rigorous line of testing.

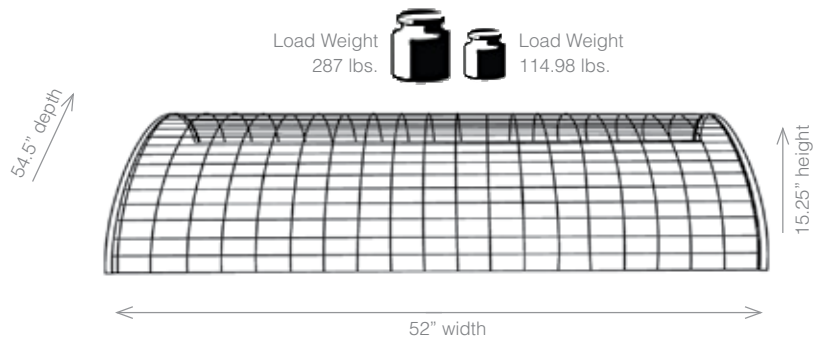
#### ■ Test #1

A dome screen measuring 51.5" in width, 102.5" in depth and having a radius height measured at 15" was loaded and held for 5 minutes. Clearance to the top of the skylight measured 5.5" prior to load and 1/8" after load application. When load was removed, 1/4" of deflection was measured.



#### ■ Test #2

A dome screen measuring 52" in width, 54.5" in depth and having a radius height measured at 15.25" was load applied to 287 lbs. At this point the screen rested on the skylight surface. The remaining load of 114.98 lbs. was applied and held for 5 minutes. This caused the skylight to deflect 1-1/16". When the load was removed there was no deflection measured.



#### ■ Test #3

A flat, rectangular section of screen measuring 42" in width and 124" in length secured to the roof assembly with a 20 gauge section of channel measuring 2"x1.125" and 132" in length was loaded and held for 5 minutes. The screen was found to fully rest on the fiberglass skylight with no permanent deflection noticed upon removal of load.

